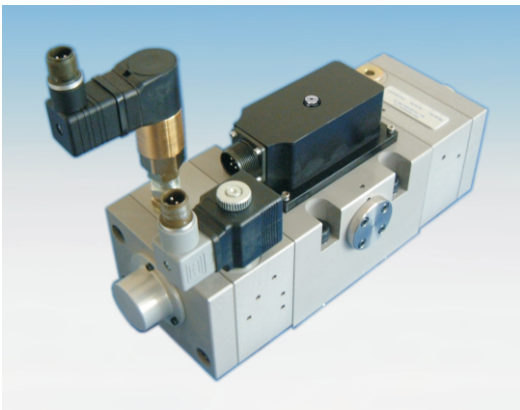


# star

hydraulics ltd

SERVO TECHNOLOGY  
AND RESEARCH

## Model 990-3 Servovalve



- Nominal flow rates up to 300 l/min @ 70 bar
- ISO 10372-06 mounting pattern
- Sapphire Technology™
- Integral abort module with indicating switch
- Field replaceable filter
- Internal pilot supply

Star Hydraulics Ltd.  
8A Beta Close  
Tewkesbury Business Centre  
Tewkesbury  
Gloucestershire GL20 8SR  
England U.K.

Tel.: +44 (0)1684 296176  
Fax.: +44 (0)1684 850714

Email: [sales@star-hydraulics.co.uk](mailto:sales@star-hydraulics.co.uk)  
Web: <http://www.star-hydraulics.co.uk>

<b>Nominal flow ratings</b>	up to 300 l/min at 70 bar $\Delta p$
<b>Hysteresis</b>	< 3% without dither
<b>Threshold</b>	< 0.5% without dither
<b>Null bias</b>	< 2%
<b>Null shift</b>	< 2%
with 40°C temp change	< 2%
with 70 bar supply pressure change	< 2%
with return pressure 0 to 35 bar	< 2%
<b>Pressure gain</b>	< 1% rated input signal for 60% of supply pressure
<b>Seal materials available</b>	FPM, NBR
<b>Proof pressure</b>	
at pressure port	150% max supply pressure
at return port	100% max supply pressure
<b>Burst pressure</b>	
return port open	250% max supply pressure
<b>External leakage</b>	Zero
<b>Degree of protection</b>	IP 65 (BS EN 60529 : 1992)
<b>Weight</b>	9.9 kg
<b>Mounting position</b>	Any, fixed or movable

<b>Supply filtration</b>	
minimum	$\beta_{10} \geq 75$ (10 micron abs)
recommended	$\beta_5 = 200$ (5 micron abs)
<b>Fluid cleanliness level</b>	
minimum	ISO 4406 - 16/13    NAS 1638 - class 7
recommended	ISO 4406 - 13/10    NAS 1638 - class 4
<b>Supply pressure</b>	
min. to effect spool movement	5 bar
minimum recommended	25 bar
maximum continuous	210 bar
<b>Viscosity</b>	VG 10 to 100 ISO 3448
<b>Fluid type</b>	Petroleum based mineral oils For operation with other media contact factory

### Calculating output flow

The output flow for a given pressure drop can be calculated using the following:

$$q = q_N \sqrt{\frac{\Delta p_N}{\Delta p_V}}$$

Where:

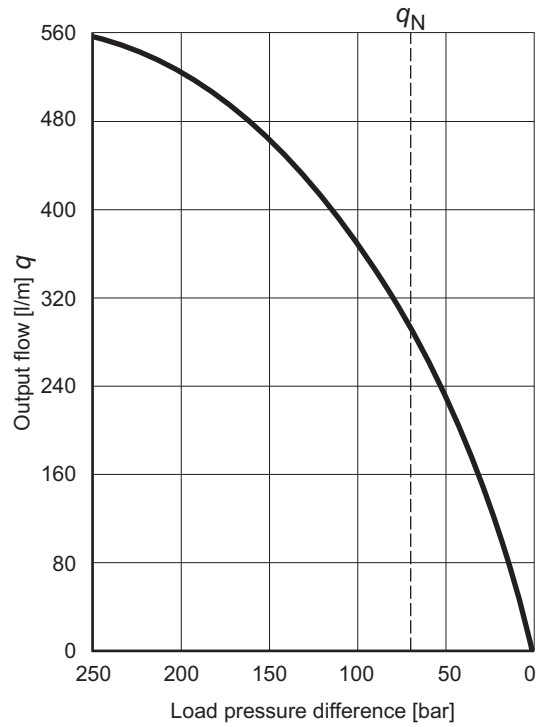
$q$  = Output flow [l/min]

$q_N$  = Rated flow [l/min]

$\Delta p_N$  = Valve pressure drop [bar]

$\Delta p_V$  = Rated valve pressure drop [bar]

Output flow versus load pressure difference

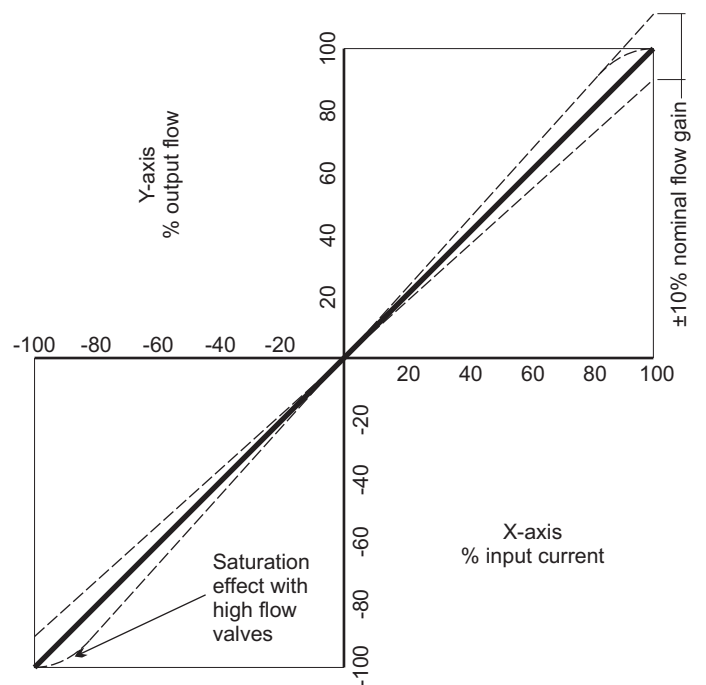


### Internal leakage

This comprises of both pilot stage flow (tare leakage) and the second stage null leakage, typical values for standard spool lap would be:-

Rated flow	Internal leakage at 140 bar
300 l/min	< 4.0 l/min

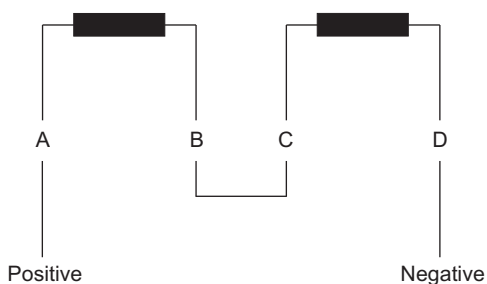
Output flow versus input signal at constant valve pressure drop



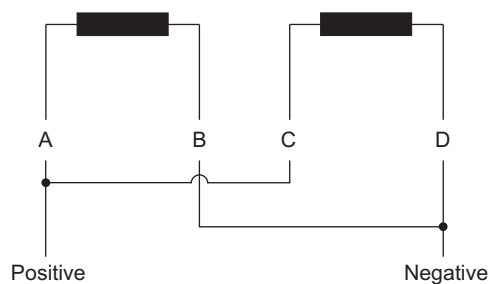
The flow tolerance for standard servovalves is  $\pm 10\%$  of the nominal rated flow at  $\pm 100\%$  input signal.

The rated flow is quoted at 70 bar  $\Delta p$  and 100% rated input signal.

**Coil schematics**



**Series connection**



**Parallel connection**

**Output flow polarity**

Flow in the direction of P→C2, C1→R will occur with the pilot stage coils configured as above.

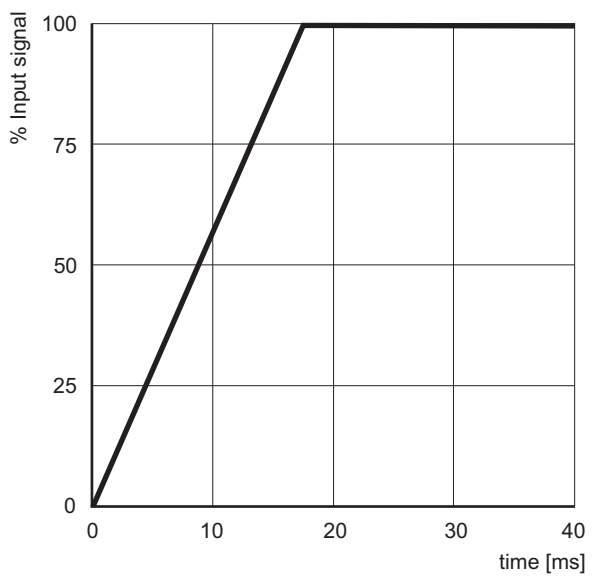
**Coil options**

Coil specification		Series connection		Parallel connection	
Rated signal [mA]	Resistance per coil [Ω]	Input current [mA]	Effective resistance [Ω]	Input current [mA]	Effective resistance [Ω]
10	1000	5	2000	10	500
15	200	7.5	400	15	100
15	350	7.5	700	15	175
20	1200	10	2400	20	600
30	300	15	600	30	150
30	800	15	1600	30	400
40	80	20	160	40	40
60	40	30	80	60	20
60	320	30	640	60	160
80	22	40	44	80	11
100	27	50	54	100	13.5
200	22	100	44	200	11

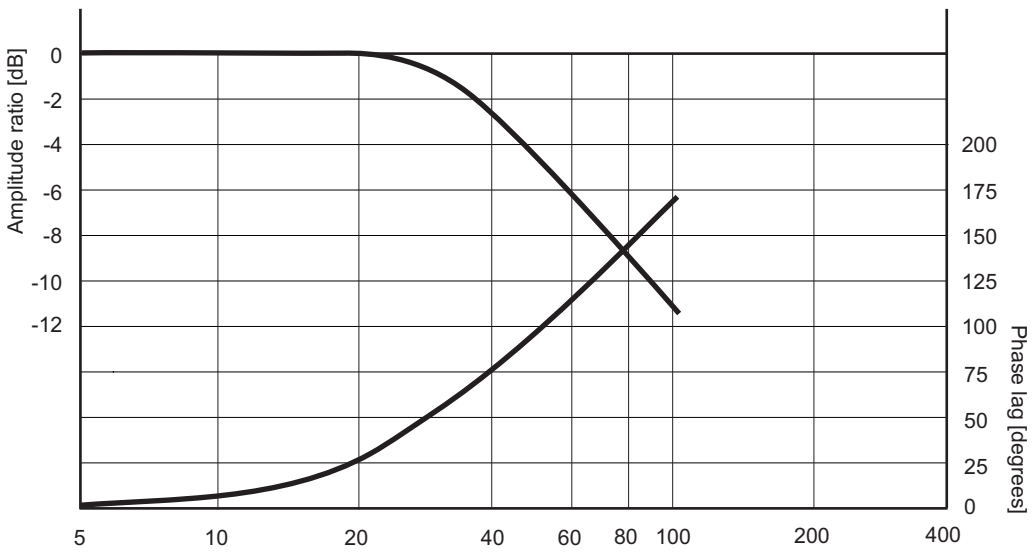
**Electrical connection**

Standard connector is MS3102E-14S-2P (MIL-C-5015). Please contact factory for more options.

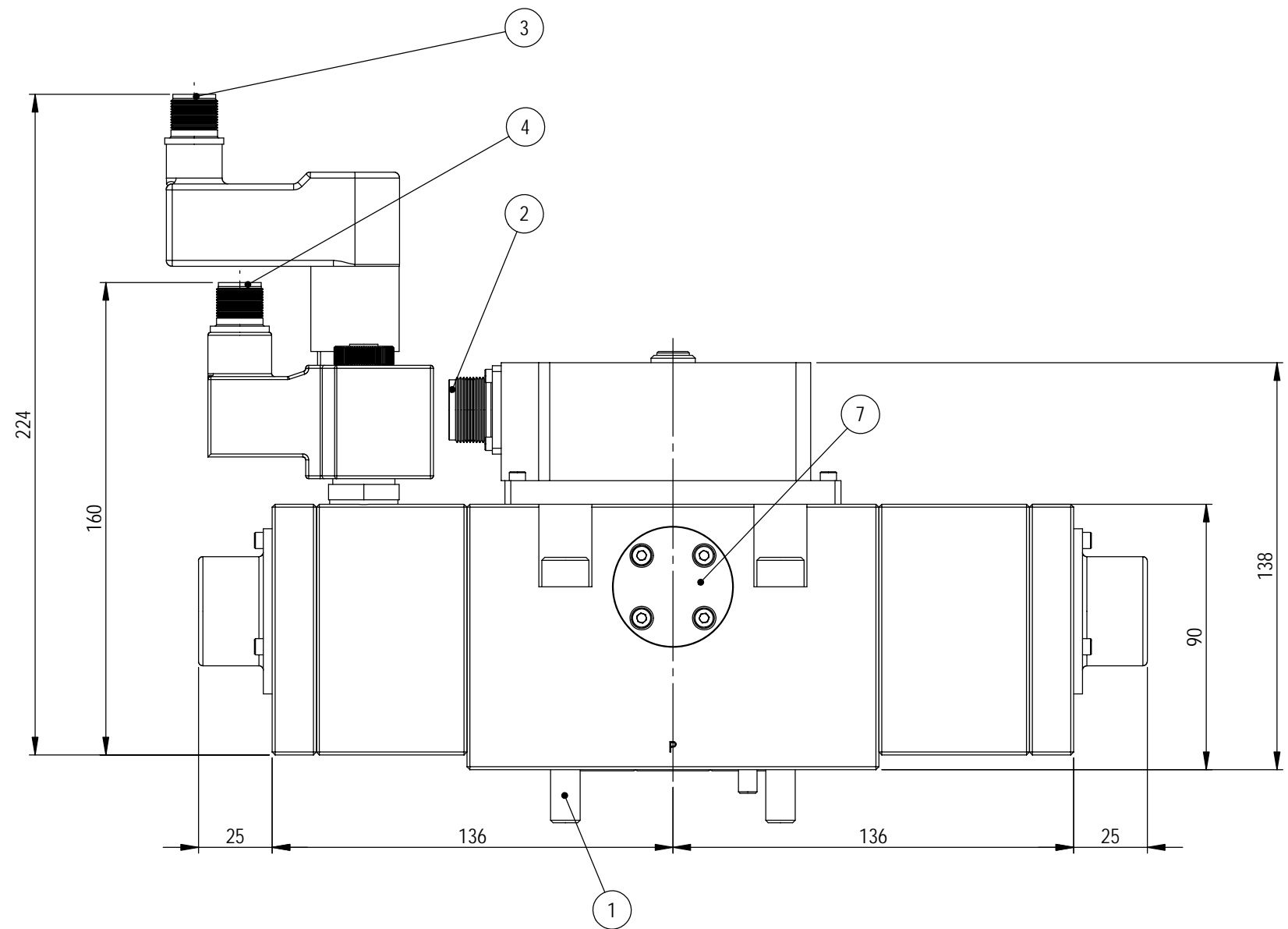
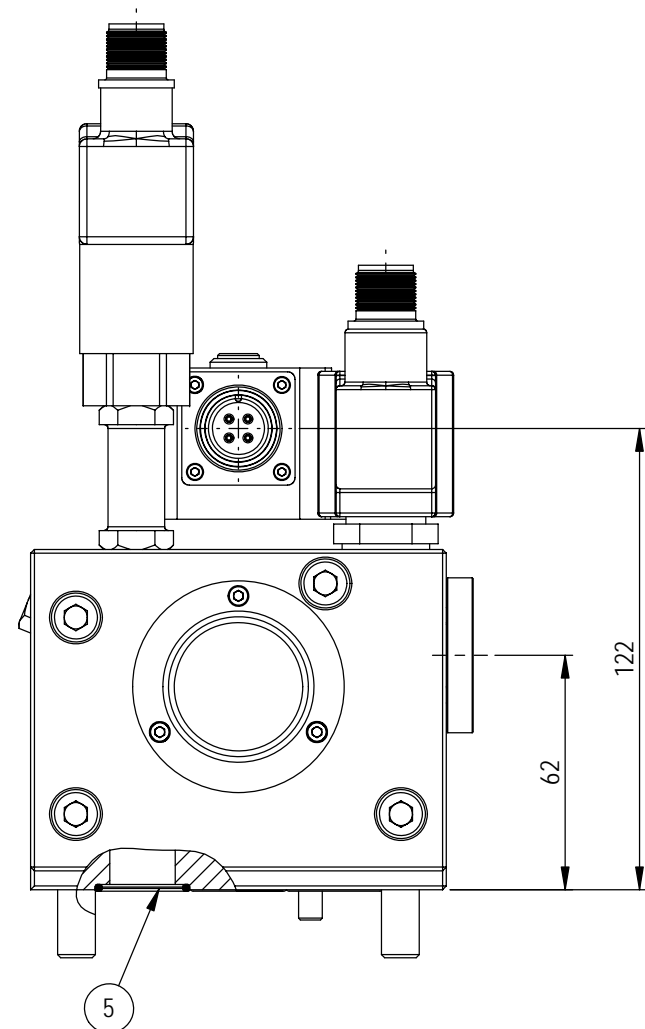
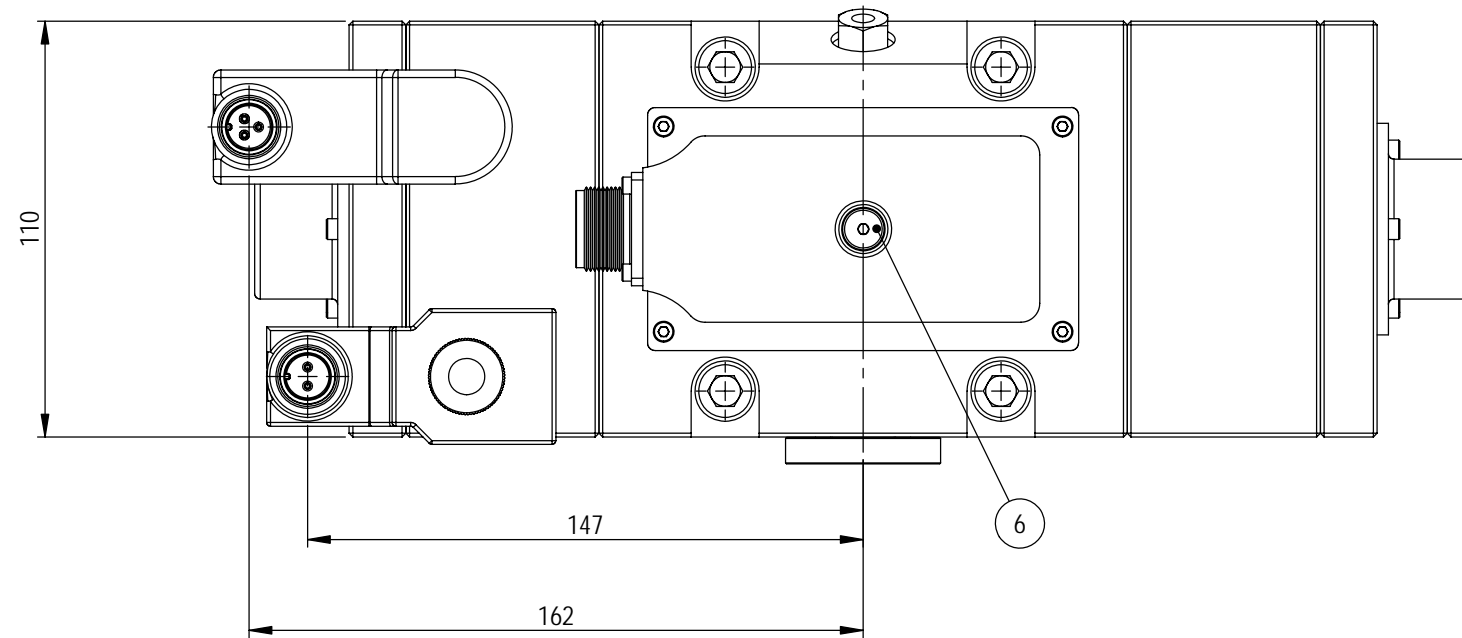
# Transient Response



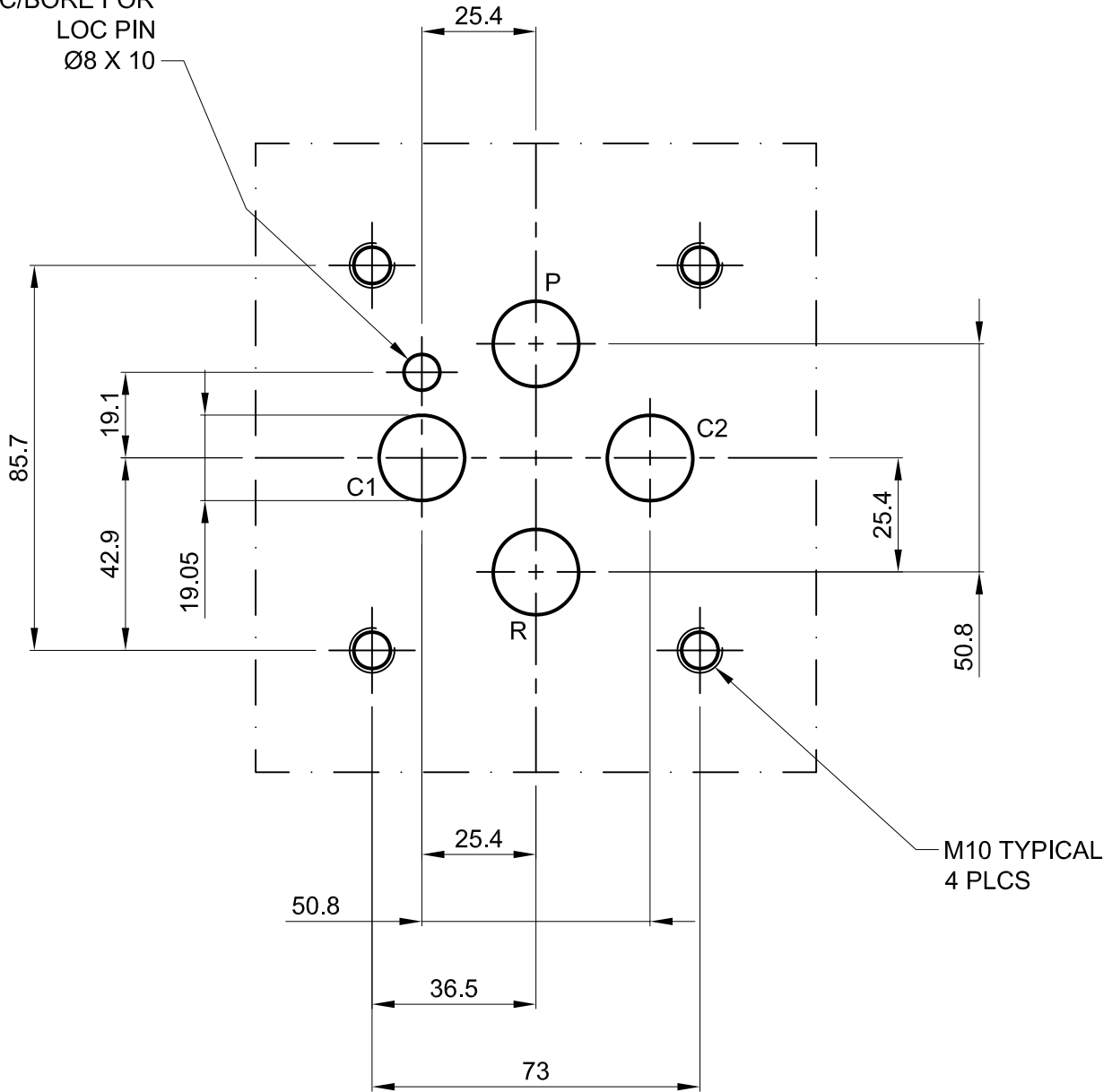
# Frequency Response



1. Suggested mounting bolts M10 x 60 long high tensile steel socket head cap screws
2. 4-way electrical connector, servo coils, mates with MS3106-14S-2S or equivalent.
3. 3-way switch, mates with MS3106-10SL-3S or equivalent.
4. 2-way electrical connector, solenoid valve, mates with MS3106-10SL-4S or equivalent.
5. Base O-Rings: 21.95 I/D x 1.78 section (4 pcs).
6. Null adjust requires 2.5 A/F allen key.
7. Field replaceable last chance disc filter.



C/BORE FOR  
LOC PIN  
Ø8 X 10



## Manifold Dimensions Model 990

Dimensions in millimeters  
3rd angle projection

Filename

